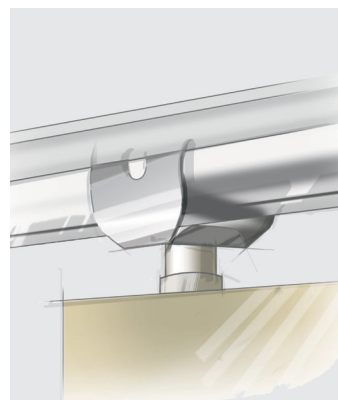
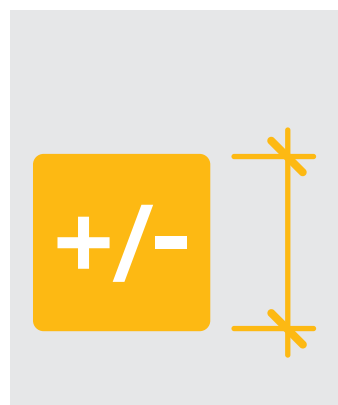
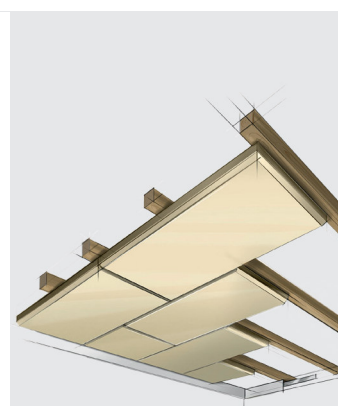
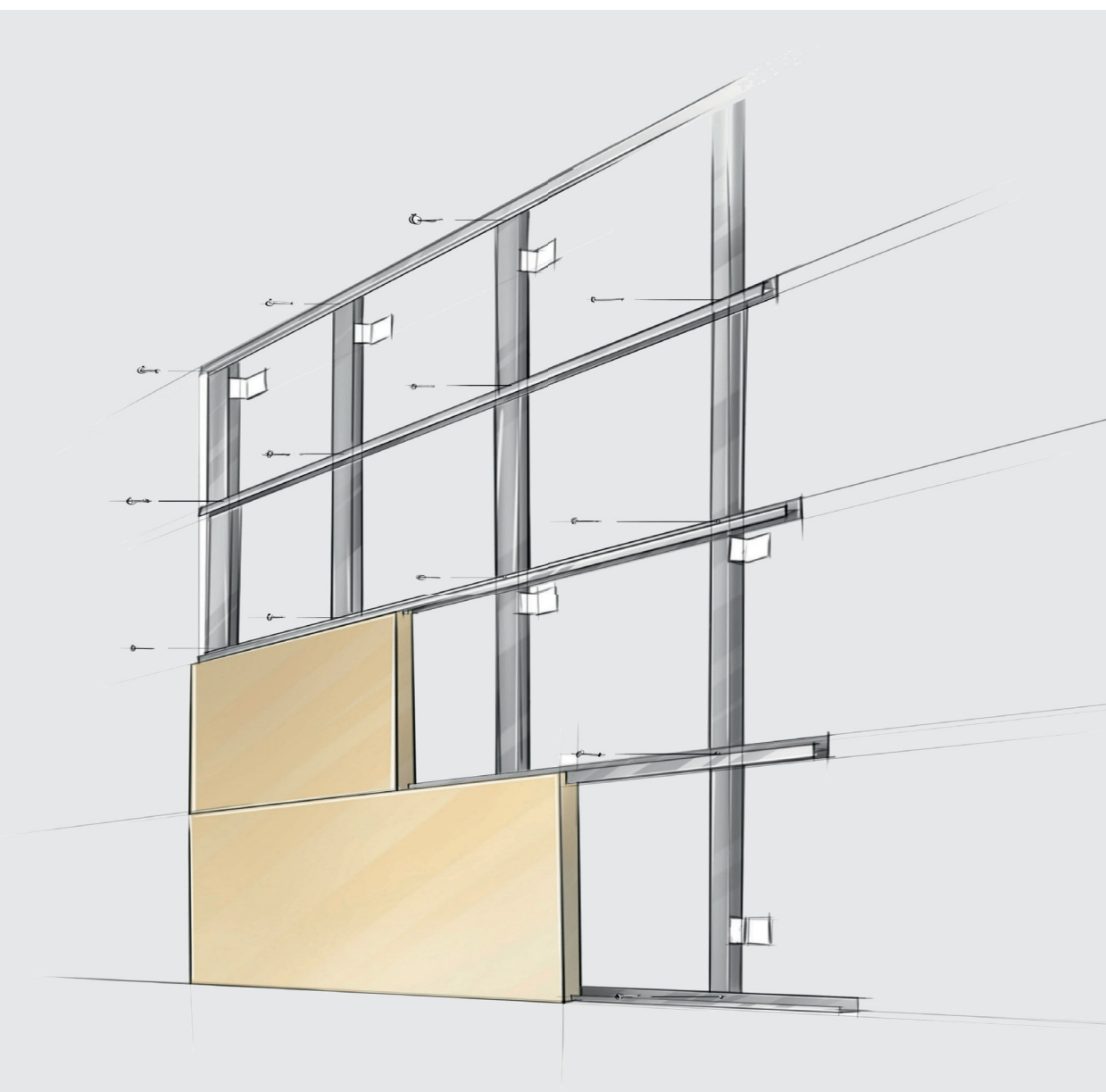




**Heradesign®**

Product data

Heradesign® *Ceiling rafts*



# Product data

## Heradesign® Ceiling rafts

### Description of Product

Heradesign® ceiling rafts have been specially designed for large rooms with individual communication islands. They provide individual optimisation of acoustics, which considerably improves speech intelligibility and concentration. However, ceiling rafts are more than simply acoustic solutions: the unique wood wool appearance of the surface texture also makes visually appealing and unusual design options possible.

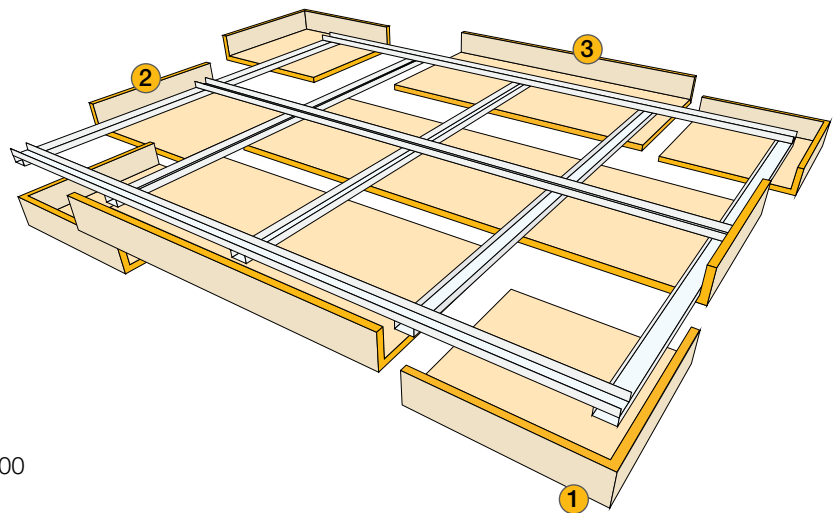
Heradesign® ceiling rafts are also highly recommended as an additional sound absorption measure. Thanks to their fast installation, the acoustics and ambience in the room can be optimised without the need to re-install or exchange the whole ceiling. Furthermore, ceiling rafts enable segmentation of areas in the same room, without having to erect dividing walls or partitions. This saves cost and space.

**Surfaces:** Heradesign® *superfine*  
Heradesign® *superfine A2*  
Heradesign® *fine*  
Heradesign® *fine A2*

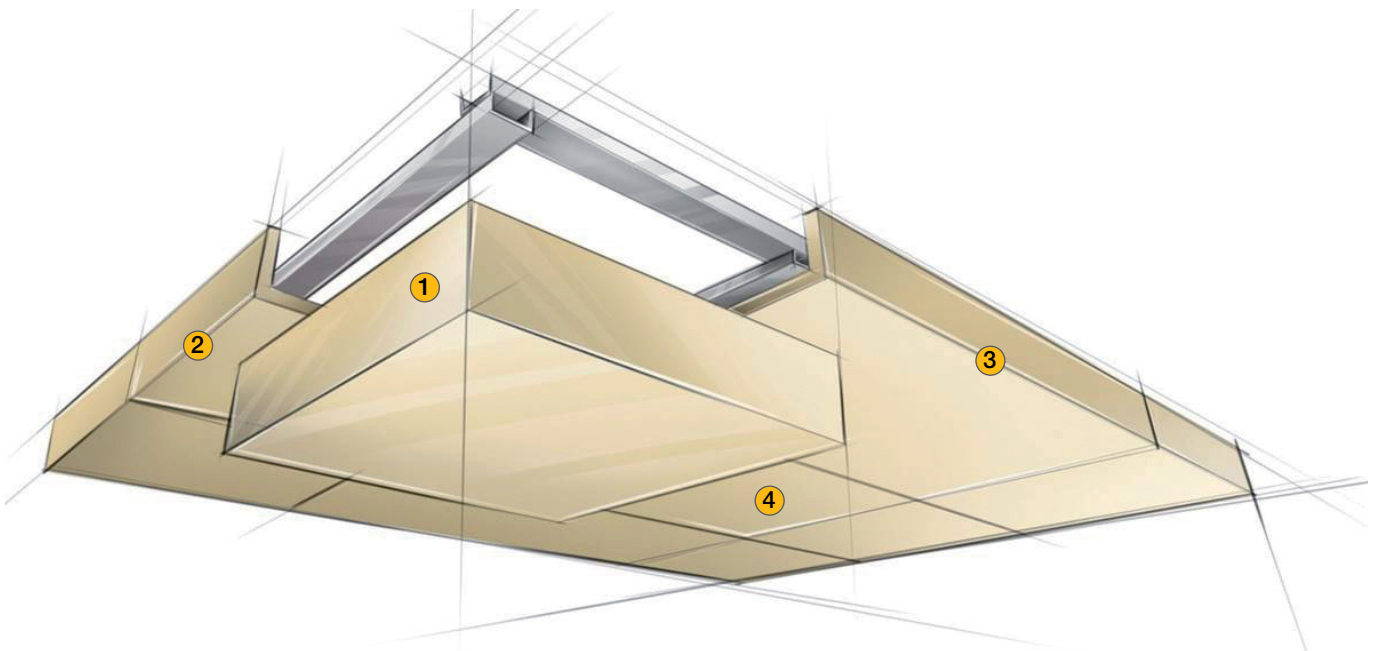
**Thickness:** 25 mm

**Edge design:** AK-01

**Colours:** Standard: - White, similar to RAL 9010  
- Natural tone 13 (beige)



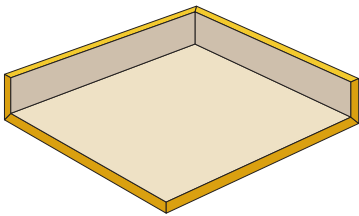
- ① Corner piece
- ② Side piece 600
- ③ Side piece 1200
- ④ Standard 600 or 1200



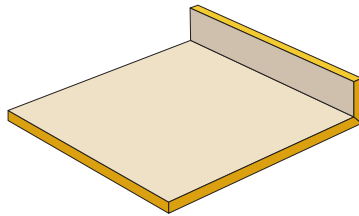
# Product data

Product	System component	Format L x W x H mm	Thickness mm	Edge design	Weight kg/unit		
Heradesign® <i>superfine</i>	1) Corner piece	600 x 600 x 125	25	AK-01	5.8		
	2) Side piece 600	600 x 600 x 125			4.9		
	3) Side piece 1200	1200 x 600 x 125			9.8		
	4) Standard 600	600 x 600			4.1		
	5) Standard 1200	1200 x 600			8.1		
Heradesign® <i>fine</i>	1) Corner piece	600 x 600 x 125			25	AK-01	6.3
	2) Side piece 600	600 x 600 x 125					5.4
	3) Side piece 1200	1200 x 600 x 125					10.8
	4) Standard 600	600 x 600					4.5
	5) Standard 1200	1200 x 600					8.9

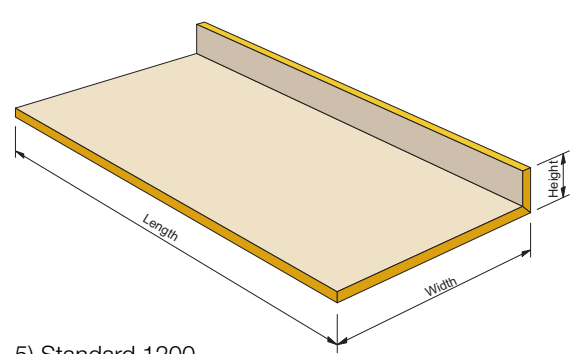
1) Corner piece



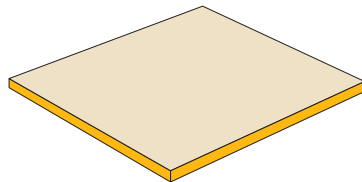
2) Side piece 600



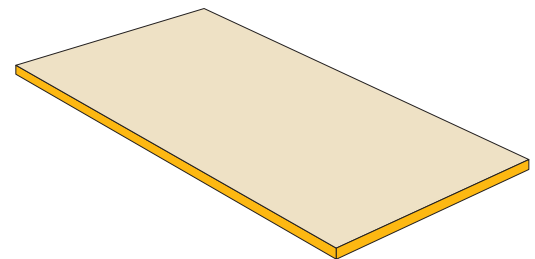
3) Side piece 1200



4) Standard 600



5) Standard 1200



# Overview of test reports

## Sound absorption values

### Heradesign® superfine

Test specimen					Test report			Equivalent absorption area m <sup>2</sup>					
Panel type / Format <sup>1)</sup>	Thickness <sup>2)</sup> [mm]	AH <sup>3)</sup> [mm]	Lining		Test institute/ Country	No.	Date	Frequencies (Hz), $\alpha_p$					
			[mm]	Type <sup>4)</sup>				125	250	500	1000	2000	4000
without lining													
Heradesign superfine, 2400 x 1200 x 125 mm	25	0	0	---	MBBM*	TM M84 565/27	29.04.10	0.50	1.30	2.90	2.60	2.80	3.60
Heradesign superfine, 2400 x 1200 x 125 mm	25	100	0	---	MBBM*	TM M84 565/29	29.04.10	0.70	2.00	2.40	2.50	3.40	3.90
Heradesign superfine, 2400 x 1200 x 125 mm	25	290	0	---	MBBM*	TM M84 565/ 31	29.04.10	0.80	2.00	1.80	2.50	3.50	4.20
with lining													
Heradesign superfine, 2400 x 1200 x 125 mm	25	0	50	DP-5	MBBM*	TM M84 565/28	29.04.10	1.10	3.40	4.00	3.30	3.30	3.60
Heradesign superfine, 2400 x 1200 x 125 mm	25	100	50	DP-5	MBBM*	TM M84 565/30	29.04.10	1.30	3.70	4.50	4.10	4.00	4.20
Heradesign superfine, 2400 x 1200 x 125 mm	25	200	50	DP-5	MBBM*	TM M84 565/32	29.04.10	1.40	3.70	4.30	4.40	4.30	4.80

### Heradesign® fine

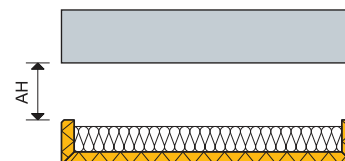
Test specimen					Test report			Equivalent absorption area m <sup>2</sup>					
Panel type / Format	Thickness [mm]	AH <sup>1)</sup> [mm]	Lining		Test institute/ Country	No.	Date	Frequencies (Hz), $\alpha_p$					
			[mm]	Type <sup>2)</sup>				125	250	500	1000	2000	4000
without lining													
Heradesign fine, 2400 x 1200 x 125 mm	25	0	0	---	MBBM	TM M84 565/33	29.04.10	0.60	2.10	2.90	2.20	3.00	2.80
Heradesign fine, 2400 x 1200 x 125 mm	25	100	0	---	MBBM	TM M84 565/35	29.04.10	0.80	2.30	2.30	2.60	3.40	3.40
Heradesign fine, 2400 x 1200 x 125 mm	25	200	0	---	MBBM	TM M84 565/37	29.04.10	1.00	2.20	1.80	2.50	3.70	3.70
with lining													
Heradesign fine, 2400 x 1200 x 125 mm	25	0	50	DP-5	MBBM	TM M84 565/34	29.04.10	1.40	3.50	3.10	2.60	3.00	2.90
Heradesign fine, 2400 x 1200 x 125 mm	25	100	50	DP-5	MBBM	TM M84 565/36	29.04.10	1.40	3.70	4.10	3.40	3.80	3.50
Heradesign fine, 2400 x 1200 x 125 mm	25	200	50	DP-5	MBBM	TM M84 565/38	29.04.10	1.50	3.60	4.00	3.70	4.10	3.90

<sup>1)</sup> Format of the tested ceiling raft: 2400 x 1200 x 125 mm (L x W x H). H = Height of edging.

<sup>2)</sup> Thickness of the Heradesign acoustic panel

<sup>3)</sup> Suspension height: Lower edge of ceiling to upper edge of side edging

<sup>4)</sup> Type: DP-5: Gross density = 50 kg/m<sup>3</sup>





## Service, Support, Logistics – Centre of expertise in Europe and on-site sales networks worldwide



**Knauf AMF GmbH & Co. KG**  
Elsenthal 15, 94481 Grafenau  
Germany

Tel.: +49 8552 422-0

Fax: +49 8552 422-32

[info@knaufamf.de](mailto:info@knaufamf.de)

[www.amfceilings.com](http://www.amfceilings.com)

The acoustic ceiling specialist Knauf AMF, with its global sales and service network, offers on-site, solution orientated and timely advice for architects, specialist contractors, distributors and developers.

**With us, you are always a ceiling solution ahead!**

No responsibility or liability is accepted for the accuracy of the information provided.  
Subject to change without prior notice.

10/2015

**Knauf AMF Deckensysteme GmbH**  
9702 Ferndorf 29  
Austria  
Tel.: +43 4245 2001-0  
[office@heradesign.com](mailto:office@heradesign.com)  
[www.heradesign.com](http://www.heradesign.com)

**Knauf AMF GmbH & Co. KG**  
Metallstraße 1, 41751 Viersen  
Germany  
Tel.: +49 2162 957-0  
[info-de@knaufamf.eu](mailto:info-de@knaufamf.eu)

**Knauf AMF Plafonds et Systèmes**  
9, rue des Livraindières, 28100 Dreux  
France  
Tel.: +33 237 3850-50  
[info@knaufamf.fr](mailto:info@knaufamf.fr)

**Knauf AMF Ceilings Ltd.**  
1 Swan Road, South West Industrial Estate,  
Peterlee, Co. Durham, SR8 2HS  
Great Britain  
Tel.: +44 191 5188600  
[info@knaufamf.co.uk](mailto:info@knaufamf.co.uk)